

Floor Standing Heater Guard Measuring Sheet



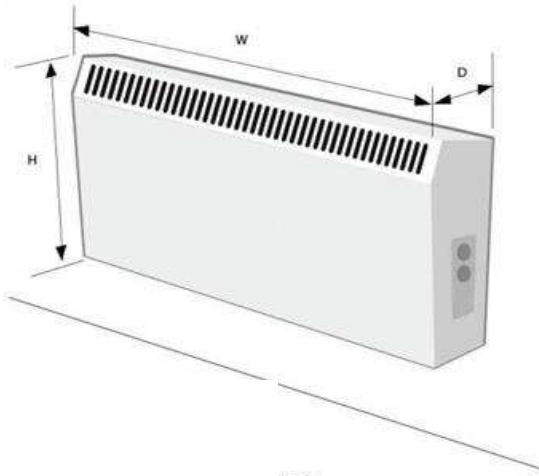
Wire Mesh Electric Heater Guards made from 1" (25mm) aperture.
Square mesh coated in white plastic as standard.

Our floor mounted electric heater guards are manufactured as a safety item and are designed to ensure a clearance of 80mm (3") between the heater and guard; conforming to BSEN 60529 Standards.

Our heater guards do not absorb heat meaning that they are safe to touch. Many schools / nurseries / care homes etc have installed our heater guards to prevent prolonged physical contact with the heat source.

Strengtheners are fitted to the inside of the guard, which also act as a spacer to create a permanent space between the heat source and the guard, reducing heat transfer.

How to Measure Your Heater



- Height:** Measure the height of the heater. (From floor to the top.)
- Width:** Measure the width of the heater.
- Depth:** Measure the depth of the heater. (From the wall to the front.)

Control Access

If access to controls is required on a permanent basis we can make a cut out or a hinged access flap.



Access Flap



Access Cut Out



Sloping Tops

Available to eliminate the possibility of items being stacked and the accumulation of debris of top of the radiator guards.

Company: _____ Telephone: _____

Address: _____ Fax: _____

_____ E-mail: _____

_____ Contact Name: _____

Postcode: _____

Room/Location	Heater Width (W)	Heater Height (H)	Heater Depth (D)

Please Note:

The guards will be bigger than the sizes you have provided above. We will add the following clearance as standard unless we are informed otherwise:

Clearance: H: 80mm W: 160mm D: 80mm

If you would like a quotation please e-mail your measurements to:
info@radiator-guards.com

If you have any questions please contact us on **0161 413 0766**.